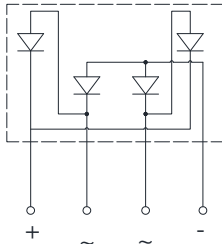
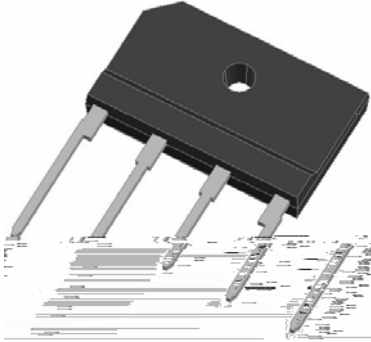




Bridge Rectifiers



Features

- UL recognition, file #E230084
- Glass passivated chip junction
- Thin single in-line package
- High surge current capability
- Solder dip 275 °C max. 7 s, per JESD 22-B106

Typical Applications

General purpose use in AC/DC bridge full wave rectification for switching power supply, home appliances, office equipment, industrial automation applications.

Mechanical Data

- Package:** 4KBJ
- Molding compound meets UL 94 V-0 flammability rating, RoHS-compliant
- Terminals:** Tin plated leads, solderable per J-STD-002 and JESD22-B102
- Polarity:** As marked on body

Maximum Ratings (Ta=25 Unless otherwise specified)

PARAMETER	SYMBOL	UNIT	KBJ4005A	KBJ401A	KBJ402A	KBJ404A	KBJ406A	KBJ408A	KBJ410A
Device marking code			KBJ4005A	KBJ401A	KBJ402A	KBJ404A	KBJ406A	KBJ408A	KBJ410A
Maximum Repetitive Peak Reverse Voltage	VRRM	V	50	100	200	400	600	800	1000
Maximum RMS Voltage	VRMS	V	35	70	140	280	420	560	700

Vdis KV

2

Mounting torque @ Recommend torque 5kg cm	Tor	kg cm	8
--	-----	-------	---

Electrical Characteristics Ta=25 Unless otherwise specified

PARAMETER	SYMBOL	UNIT	TEST CONDITIONS	KBJ4005A	KBJ401A	KBJ402A	KBJ404A	KBJ406A	KBJ408A	KBJ410A
Maximum instantaneous forward voltage drop per diode	VF	V	IFM=2.0A				1.0			
Maximum DC reverse current at rated DC blocking voltage per diode	IR	µA	Tj=25 -				5			
			Tj=125 -				100			
Typical junction capacitance	Cj	pF	Measured at 1MHz and Applied Reverse Voltage of 4.0 V.D.C				45			

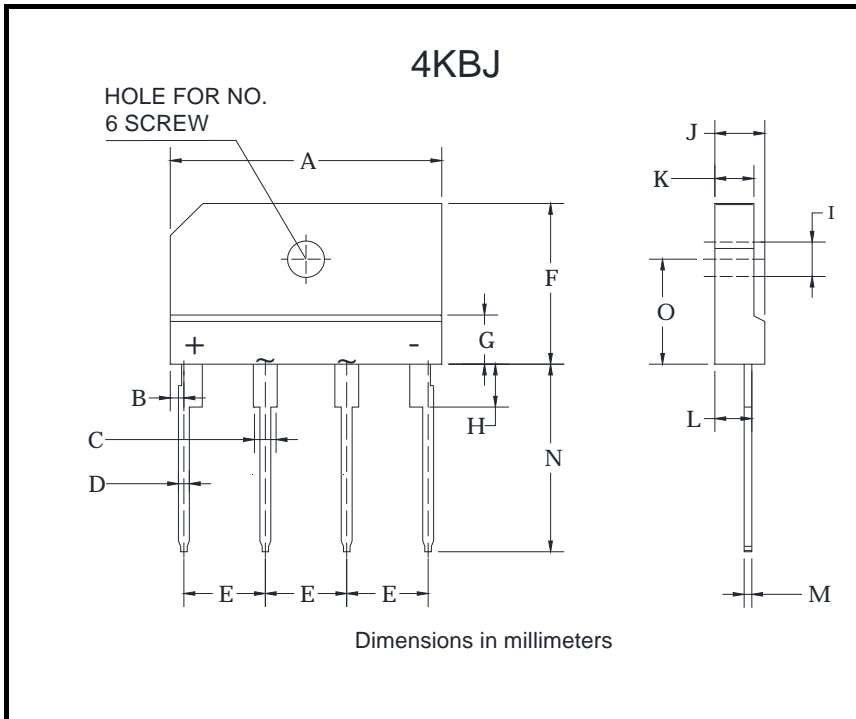


Thermal Characteristics T_a



KBJ4005A THRU KBJ410A

Outline Dimensions



4KBJ		
Dim	Min	Max
A	24.7	25.3
B	1.05	1.45
C	1.7	2.1
D	0.9	1.1
E	7.3	7.7
F	14.7	15.3
G	3.8	4.2
H	3.3	3.7
I	3.1	3.4
J	4.4	4.8
K	3.4	3.8
L	3.2	3.4
M	0.6	0.8
N	17.0	18.0
O	9.5	10.1



KBJ4005A THRU KBJ410A

Disclaimer

The information presented in this document is for reference only. Yangzhou Yangjie Electronic Technology Co., Ltd. reserves the right to make changes without notice for the specification of the products displayed herein to improve reliability, function or design or otherwise.

The product listed herein is designed to be used with ordinary electronic equipment or devices, and not designed to be used with equipment or devices which require high level of reliability and the malfunction of which would directly endanger human life (such as medical instruments, transportation equipment, aerospace machinery, nuclear-reactor controllers, fuel controllers and other safety devices), Yangjie or anyone on its behalf, assumes no responsibility or liability for any damages resulting from such improper use of sale.

This publication supersedes & replaces all information previously supplied. For additional information, please visit our website [http:// www.21yangjie.com](http://www.21yangjie.com) , or consult your nearest Yangjie's sales office for further assistance.